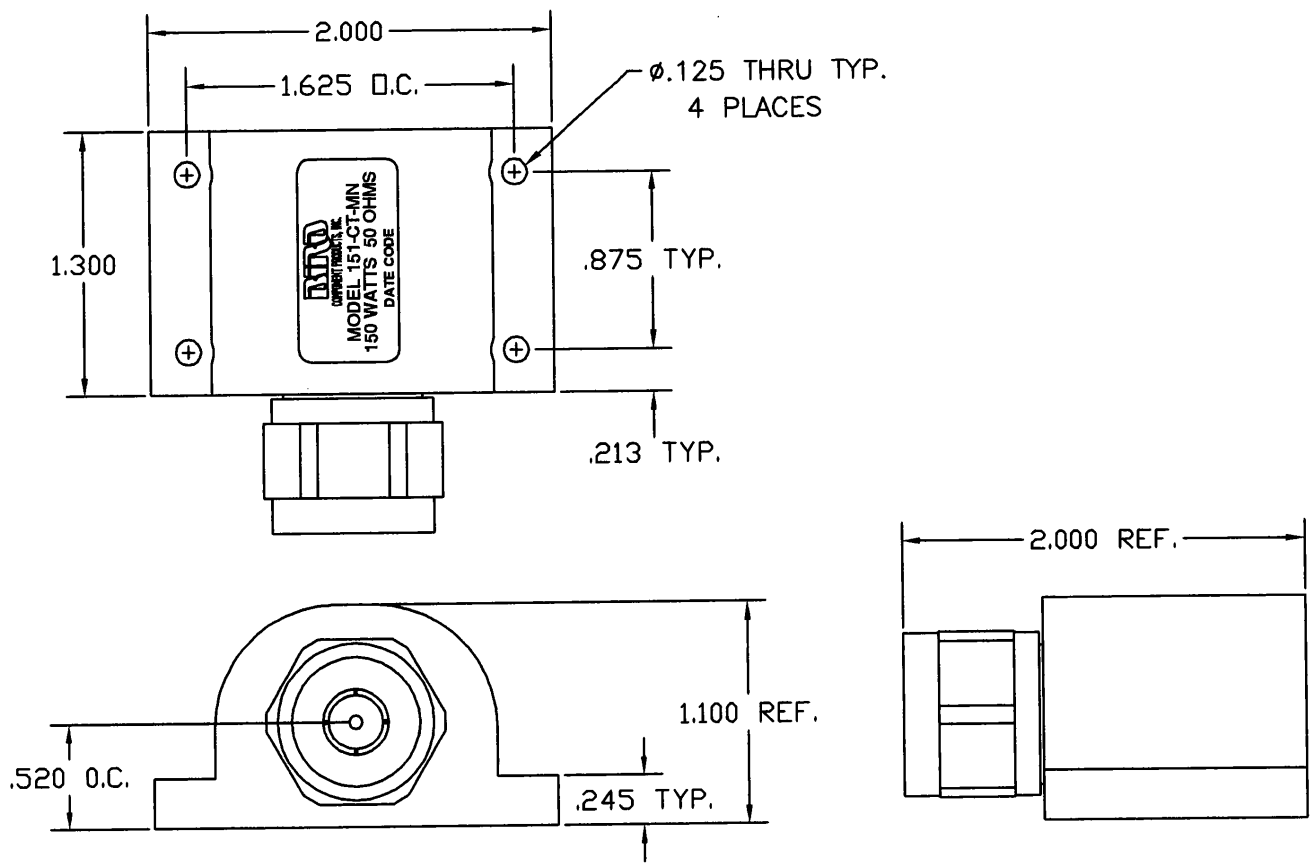


PART NUMBER  
151-CT-MN



SPECIFICATIONS:  
 IMPEDANCE: 50 OHMS NOMINAL  
 FREQUENCY RANGE: DC TO 4GHz  
 VSWR: DC TO 1GHz AT 1.10:1 MAX.  
           1GHz TO 4GHz AT 1.25:1 MAX.  
 POWER RATING: 150 WATTS CW  
 - WHEN MOUNTED TO A HEAT SINK  
   CAPABLE OF MAINTAINING A CASE  
   TEMPERATURE OF 100°C OR LESS  
 PASSIVE IM: -120dBc TYPICAL  
 CONNECTOR: N-TYPE MALE  
 - BRASS, TRI-ALLOY PLATED  
 HOUSING: ALUMINUM, YELLOW IRRIDITE

UNLESS OTHERWISE SPEC-  
 IFIED TOLERANCES ARE  
 .XX = +/- .015  
 .XXX = +/- .005  
 SCALE  
 DIM. ARE IN INCHES  
 APPROVED BY *[Signature]*  
 DATE 9-13-02

<b>BIRD COMPONENT PRODUCTS INC.</b>			
DESCRIPTION CONDUCTION COOLED TERMINATION, 150W, N-TYPE MALE			
DWG. BY DMD	DATE 8-23-02	PART NUMBER 151-CT-MN	REV.